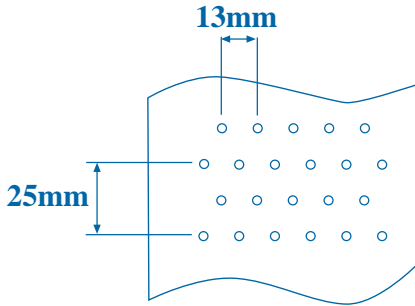
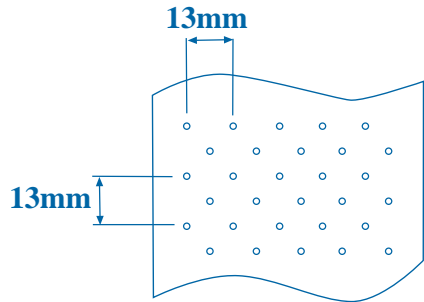


Perforation Specifications

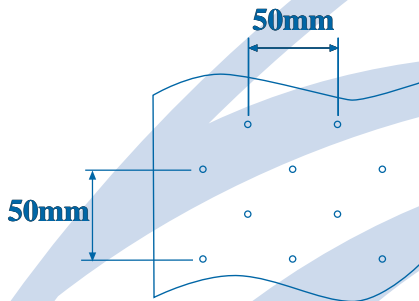
P1 - Punched Holes



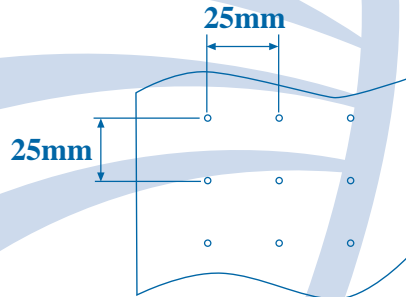
P3 - Pin Pricked Holes



P6 - Pin Pricked Holes



P31 - Pin Pricked Holes



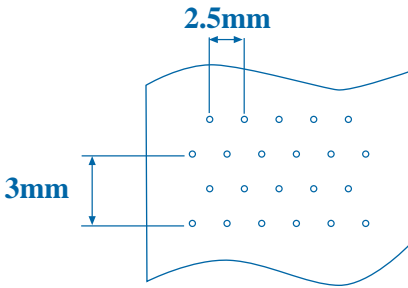
Aerovac Systems Ltd.

Tel: 01274 550500 Fax: 01274 550501 e-mail: sales@aerovac.com website: www.aerovac.com

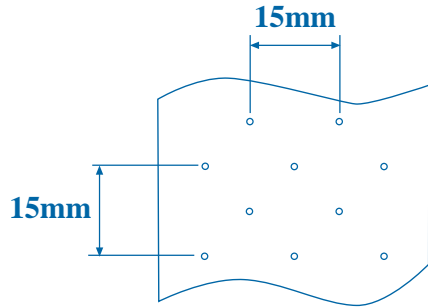
All statements, technical information and recommendations contained in this publication are based on tests believed to be reliable, but their accuracy and/or completeness are not guaranteed. The user shall determine the suitability for this particular purpose and shall assume all risk and liability in connection herewith.

revision: N/A new

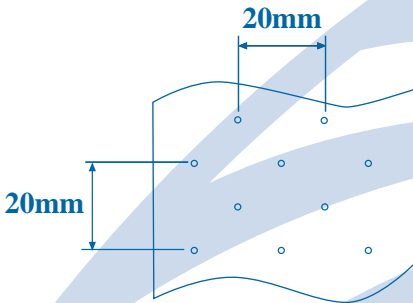
B2000P - Hot Needed



B2000P3 - Hot Needed



B2000P9 - Hot Needed



Aerovac Systems Ltd.

Tel: 01274 550500 Fax: 01274 550501 e-mail: sales@aerovac.com website: www.aerovac.com

All statements, technical information and recommendations contained in this publication are based on tests believed to be reliable, but their accuracy and/or completeness are not guaranteed. The user shall determine the suitability for this particular purpose and shall assume all risk and liability in connection herewith.